

LED Street Light

170lm/w



Street light F Series

5 Years Warranty



CE RoHS



Specification

Model	30W	50W	70W	100W	120W	150W	200W
PF	>0.95						
Input Voltage(V)	100-240VAC						
CRI	Ra70	Ra80	Ra70	Ra80	Ra70	Ra80	Ra70
Efficacy (lm/W)±5%	170	160	170	160	170	160	170
Lumen Output±5%	5100	4800	8500	8000	11900	19200	17000
CCT (K)	4000K / 5000K						
Dimming	1-10V Dimming						
Intelligent Control	Photo cell / DALI Control						
Beam Angle	TYPE II / TYPE III						
Material	Die-Cast + Glass						
Operating Temperature	-40°C ~ 45°C						
Humidity	10%~90%						
Installation	POLE - Φ60						
LED Type	5050						
Power Supply	ZH/SS						
Surge Protection	4kV line-line, 6kV line-earth						
Certification	CE / RoHS / SAA						
IP Rate	IP65						
Warranty	5 Years						

Packing

Model No.	Power (W)	Size (mm)	Carton Size (mm)	G.W / 1PCS±0.2KG
SL-STA00-30Y-XX-F	30W	L396(15.59in.)*W185(7.28in.)*H101(3.97in.)	L620*W280*H155	4.94
SL-STA00-50Y-XX-F	50W	L431(16.96in.)*W233(9.17in.)*H99(3.89in.)	L630*W280*H155	4.94
SL-STA00-70Y-XX-F	70W	L481(18.93in.)*W272(10.70in.)*H99(3.89in.)	L670*W310*H155	6.5
SL-STA00-100Y-XX-F	100W	L481(18.93in.)*W272(10.70in.)*H99(3.89in.)	L670*W310*H155	6.5
SL-STA00-120Y-XX-F	120W	L481(18.93in.)*W272(10.70in.)*H99(3.89in.)	L670*W310*H155	6.7
SL-STA00-150Y-XX-F	150W	L622(24.00in.)*W301(11.85in.)*H103(4.05in.)	L820*W340*H155	8.9
SL-STA00-200Y-XX-F	200W	L622(24.00in.)*W301(11.85in.)*H103(4.05in.)	L820*W340*H155	9.1

Description:

Model name description: SL-STA00-30Y-XX-F.

“SL” indicates the name of company producing the product;

“ST” indicates the product is a LED Street Light;

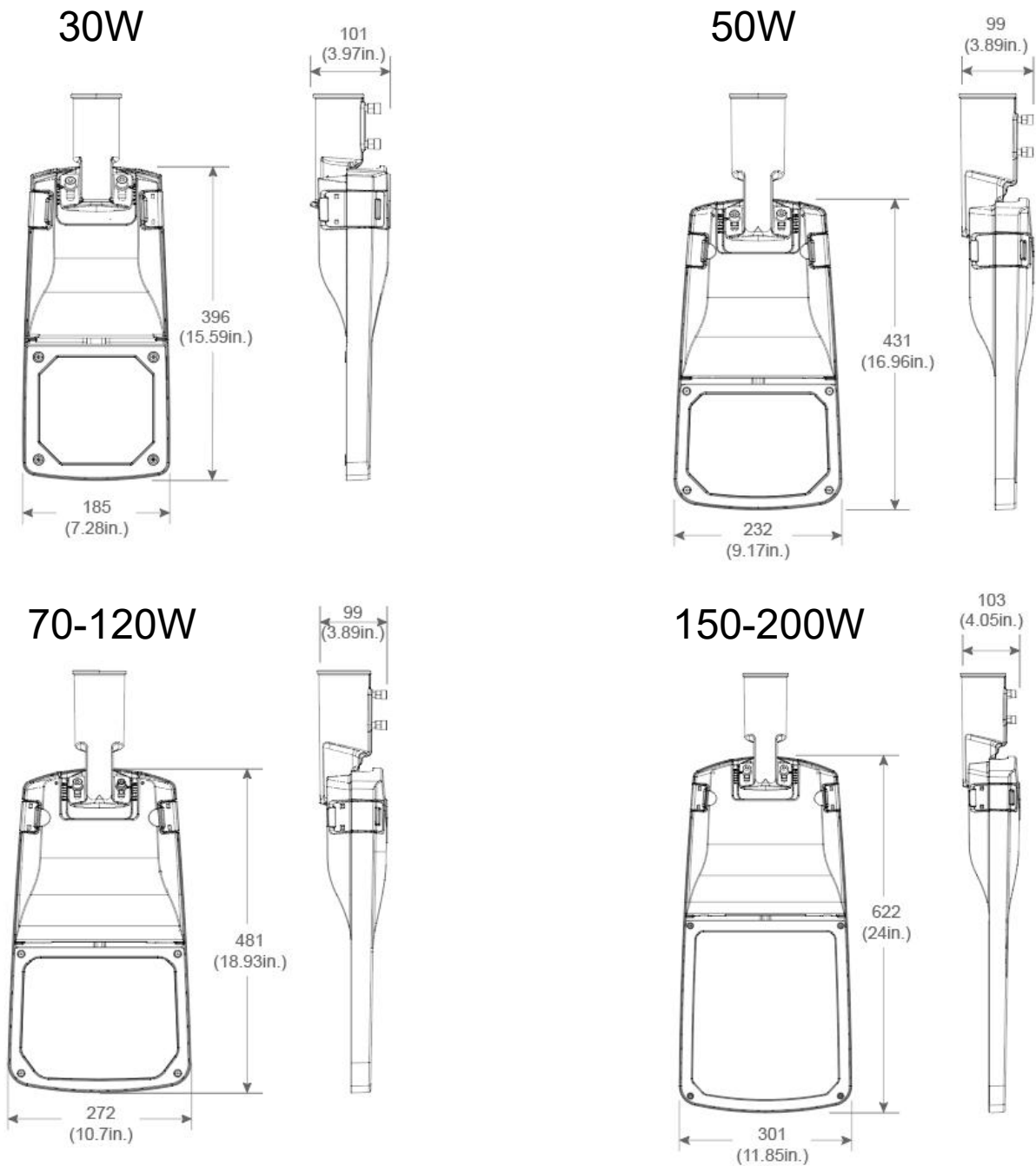
“A00” indicates the voltage of the product;

“30” indicates the power of the product, it can be 50、70、100、120、150、200;

“Y” indicates the colour temperature of the product. “Y” can be N=3000K, M=3500K, L=4000K, K=4500K, C=5000K, H=5700K represents color temperature;

Where “XX” represent light angle, it can be T I, T II, T III, T IV, T V;

“F” indicates the shape size.



StructurePerformance

Housing:	Die-Cast
Cover:	Glass
Cable Length:	400mm
IP Rate:	IP 65
IK Rate:	IK 08

Smart Structure Free-tool Maintenance

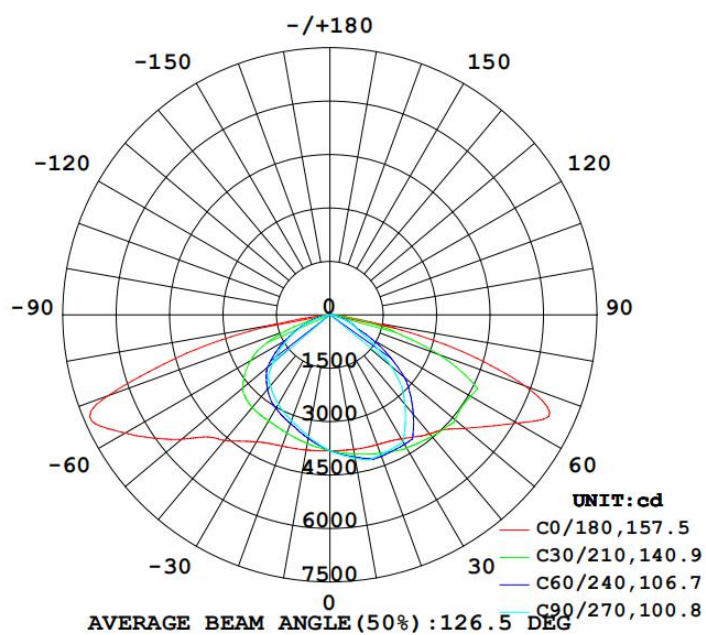
It is separated by two parts. There is a button at the roof cover, push it and unlock the driver.

With this smart structure, only one person can finish it without any tools in one minute to maintain.



Beam angle

Adjustable beam angle $+15^{\circ} \sim -15^{\circ}$

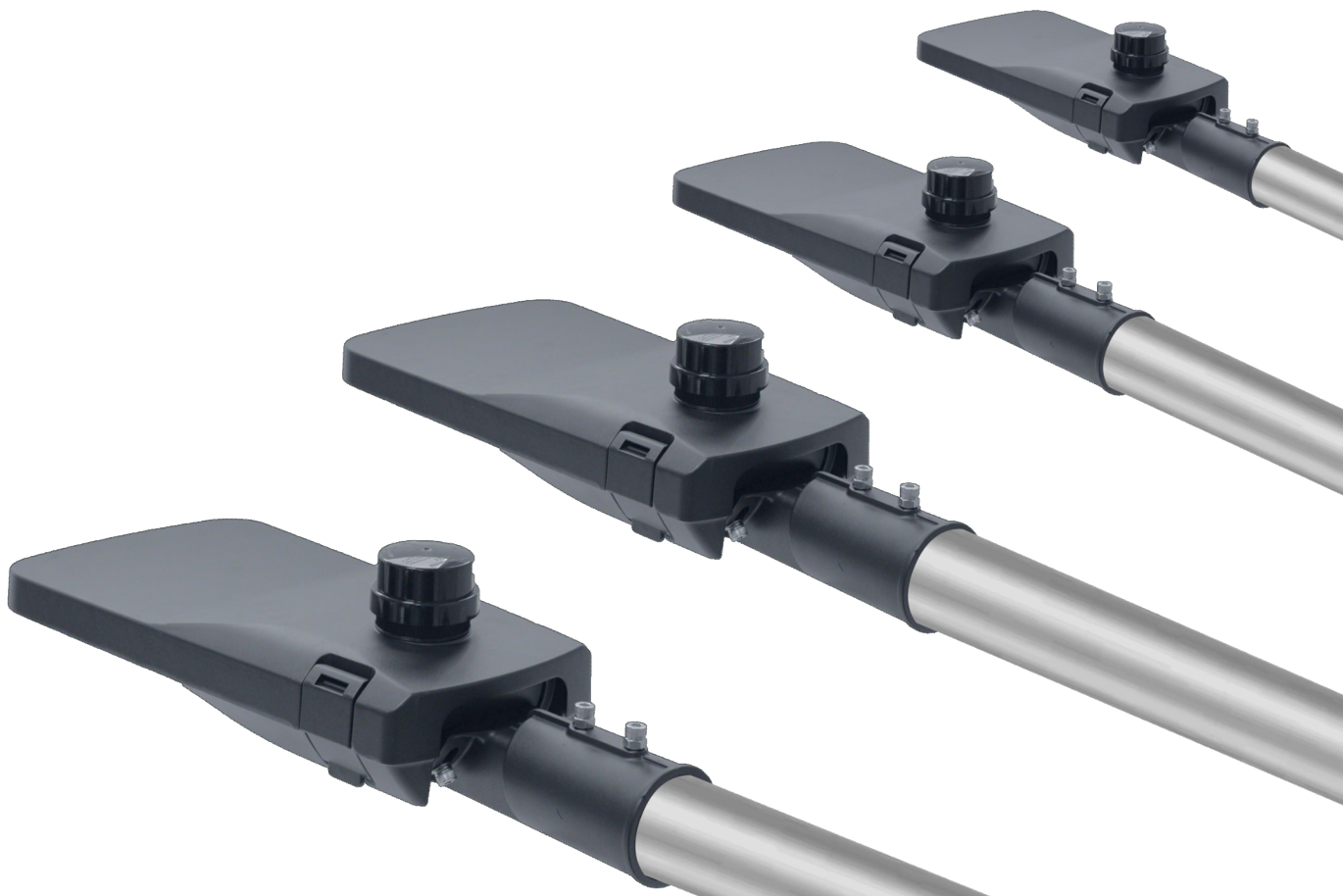


Efficiency up to 170lm/w

This is a world class street light in terms of easy maintenance, high lumen efficiency, much energy saving as well as consideration and respect for the environment.

Full Power for Various Roads

ST06 has four sizes that compatible with different power which happens for all kinds of roads.



Regular Safety Test

Test Item	Structure Classification	Testing Conditions	Testing parameters	Testing Time	Limiting Value
Hipot test	▪ Class I	input-shell	1000+2U (AC)	1min	10mA Max.
	▫ Class II	input-shell	2000+4U (AC)	1min	10mA Max.
	▫ Class III	input-shell	500Vac	1min	10mA Max.
Insulation Resistance	▪ Class I	input-shell	500Vdc	1min	2MΩ Min.
	▫ Class II	input-shell	500Vdc	1min	4MΩ Min.
	▫ Class III	input-shell	100Vdc	1min	1MΩ Min.
Leakage Current	▪ Class I	input-shell	220V/50Hz	10S	0.5mA Max.
	▫ Class II	input-shell	220V/50Hz	10S	1.0mA Max.
Ground Resistance	▪ Class I	Grounding wirmetal shell	10A	1min	500mΩ Max.

Product Certification

Certification Categories	Conform to the standard specification	Meet Certified	Certified
CE	EN60598-1; EN60598-2-1; EN62493; EN55015; EN61000-3-2; EN61000-3-3; EN61547; EN62471	√	√
SAA	IEC60598-2-1:1979(First Edition)+A1:1987 used in conjunction With IEC60598-1:2014(Eighth Edition)	√	√
RoHS	2011/65/EU directive (RoHS 2.0)	√	√
Energy Star	ENERGY STAR® Program Requirements Product Specification for Luminaires (Light Fixtures) Eligibility Criteria Version 2.0		